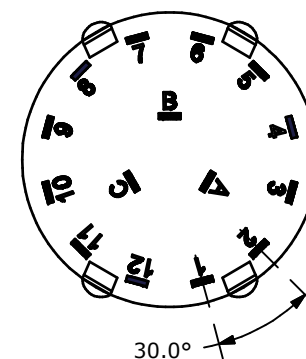
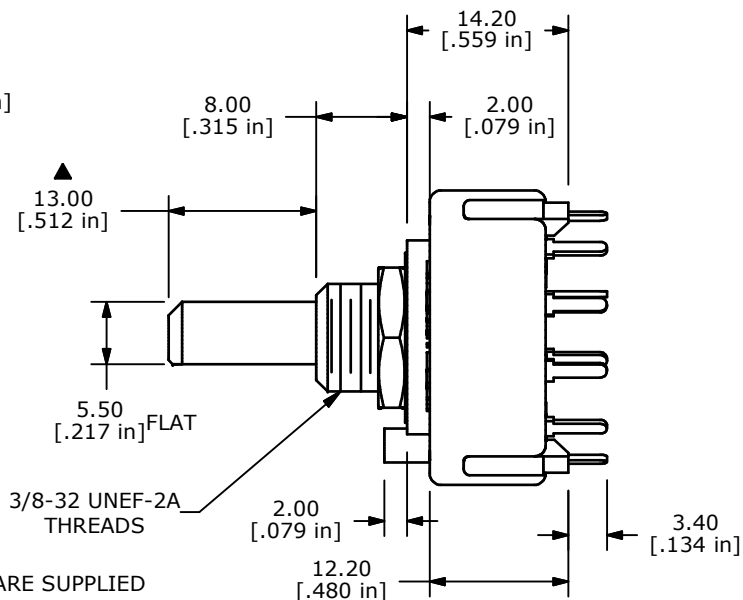
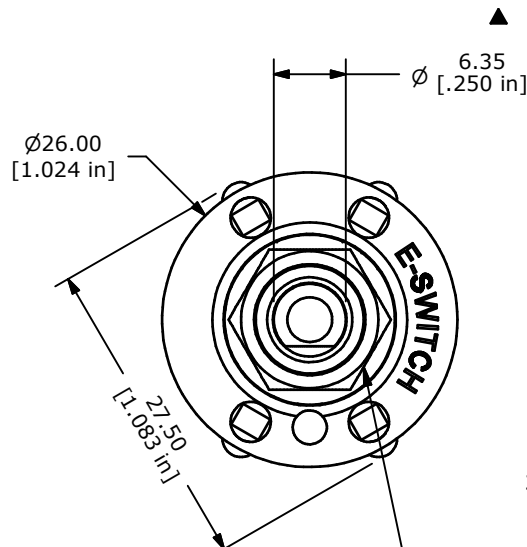
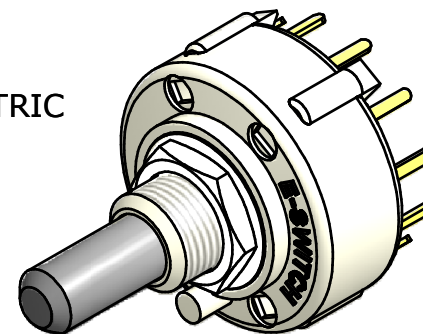


CONTACT CONFIGURATION
TIMING (BBM) NON-SHORTING

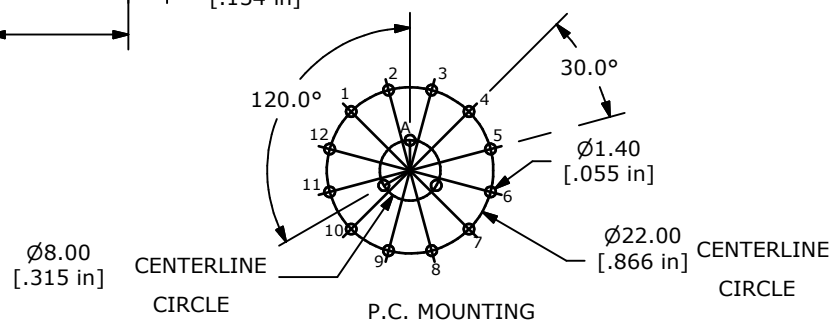
ISOMETRIC



NOTE:

1. ALL DIMENSIONS IN MM[INCH].
2. GENERAL TOLERANCE: X.X=±0.4
X.XX=±0.25
3. TERM. NOS. FOR REFERENCE ONLY.
- ▲ 4. CONTACT MATERIAL: SILVER
5. CONTACT RATING: 150MILLI-AMP, 250V (AC or DC)
350MILLI-AMP, 110V (AC or DC)
6. CONTACT RATING (NON-SWITCHING): 5A
7. OPERATING FORCE 425±100CM/STANDARD
8. OPERATING TEMP: -30°C TO 85°C
- ▲ 9. CIRCUIT 3P: 4 POSITION 30° INDEX.
10. DIELECTRIC STRENGTH: 1000V RMS MIN.@ SEA LEVEL.
- ▲ 11. HARDWARE SUPPLIED ON SWITCH:
LOCKWASHER, HEXNUT, STOP RING
12. ▲ DENOTES CRITICAL PARAMETER.
13. 2002/95/EC (ROHS) COMPLIANT.

HARDWARE SUPPLIED
ON SWITCH



A	18409	RELEASED FOR PRODUCTION	2/26/09	BLR
REV	PCR NO	DESCRIPTION	DATE	BY

TITLE KC34A13.001NPS				
SCALE	DATE	DR	DWG	REV
1.5:1	2/26/2009	BLR	G510466	A

THE INFORMATION CONTAINED IN THIS DOCUMENT IS PROPRIETARY
TO E-SWITCH AND IS NOT TO BE COPIED OR TRANSFERRED